

Service Schematics

NOKIA 5220 XPRESSMUSIC

RM-410
RM-411

Introduction

IMPORTANT:

This document is intended for use by authorized NOKIA service centers only.

“Service Schematics” was created with focus on customer care.
The purpose of this document is to provide further technical repair information for NOKIA mobile phones on Level 3/4 service activities.
It contains additional information such as e.g. “Component finder”.

Saving process time and improving the repair quality is the aim of this document.
It is to be used additionally to the service manual and other training or service information such as Service Bulletins.

While every endeavour has been made to ensure the accuracy of this document, some errors may exist. If the reader finds any errors, NOKIA shall be notified in writing.

Please send E-Mail to: TrainingAndVendor.Development@nokia.com

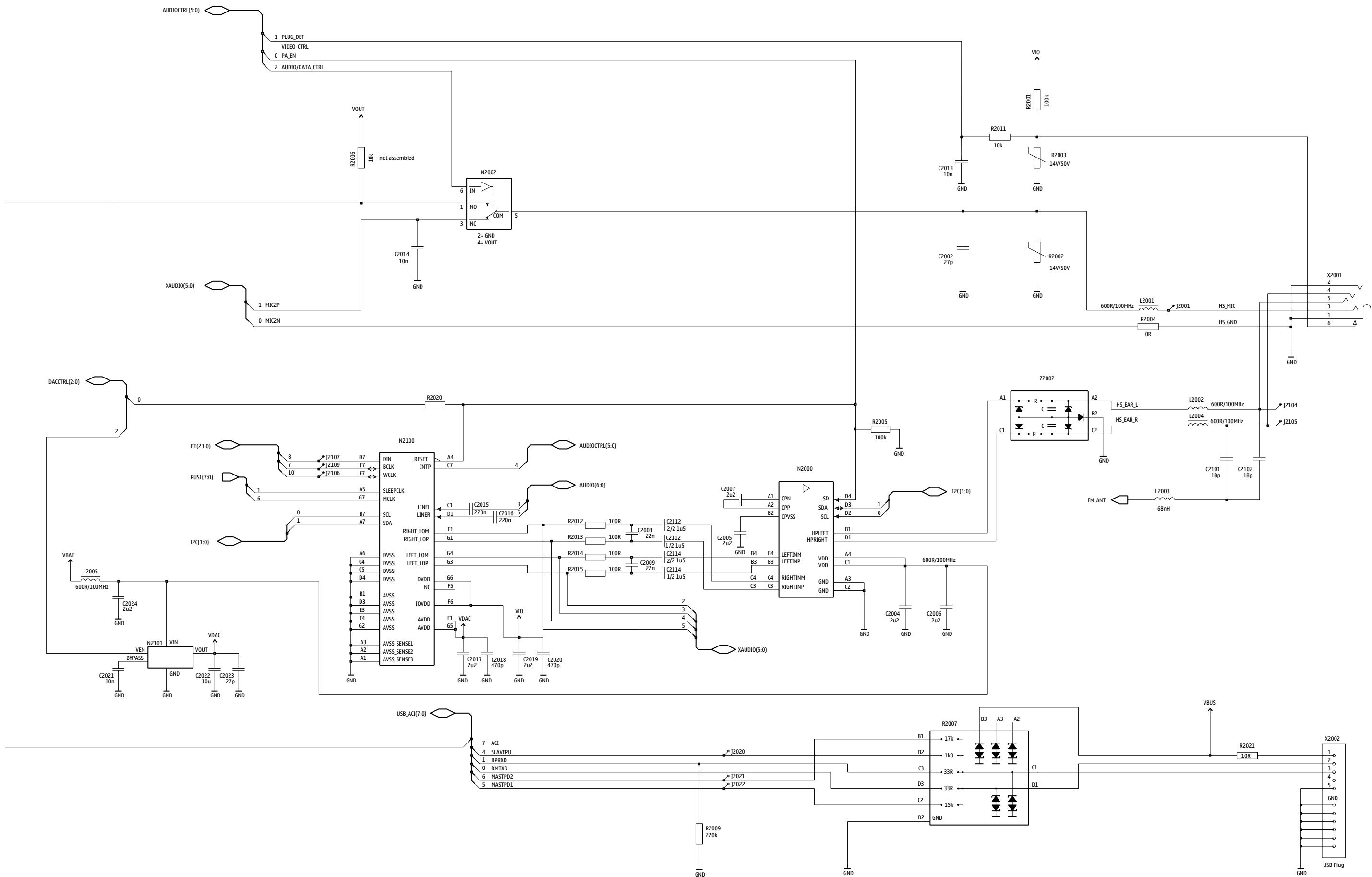


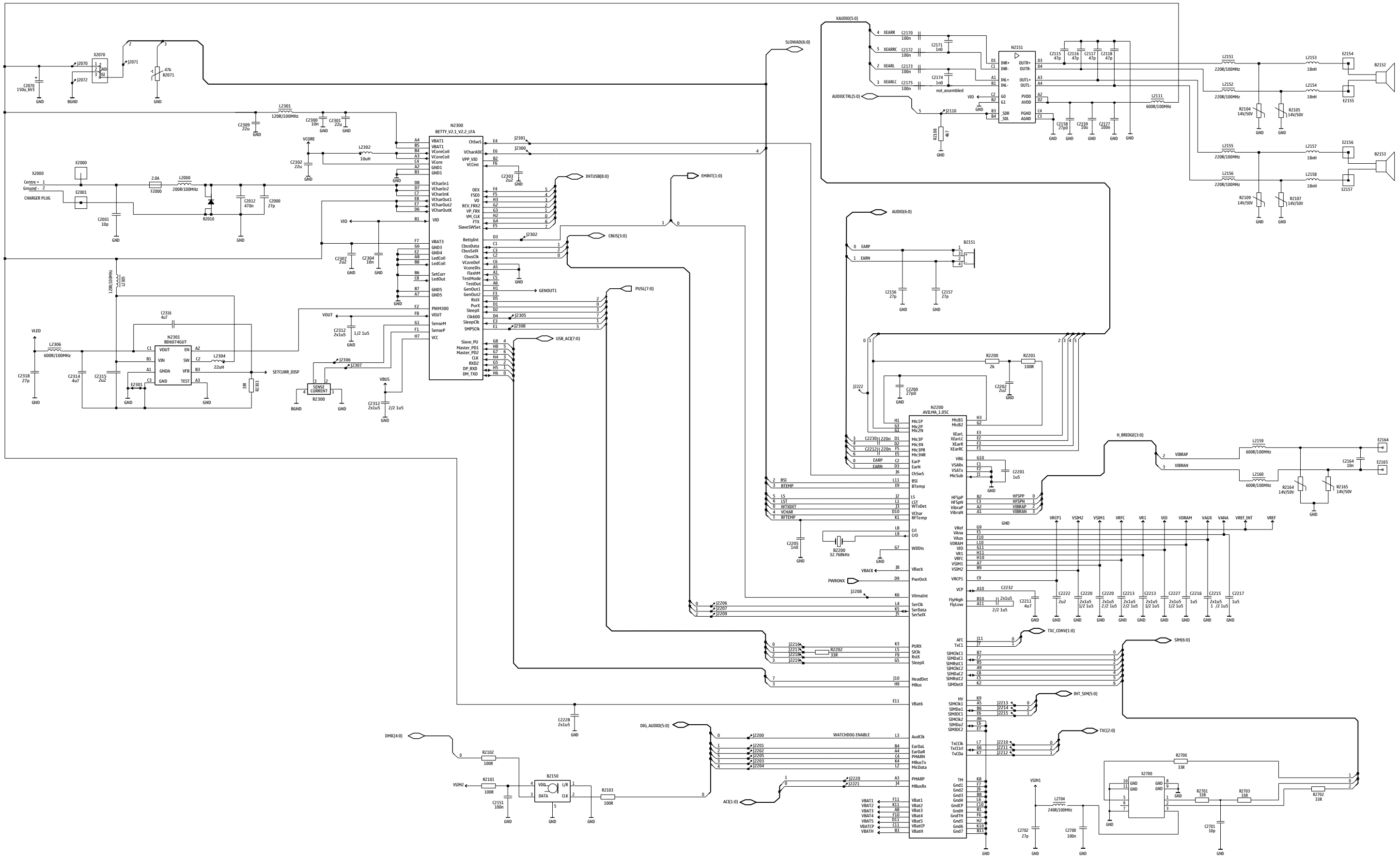
Table of Contents

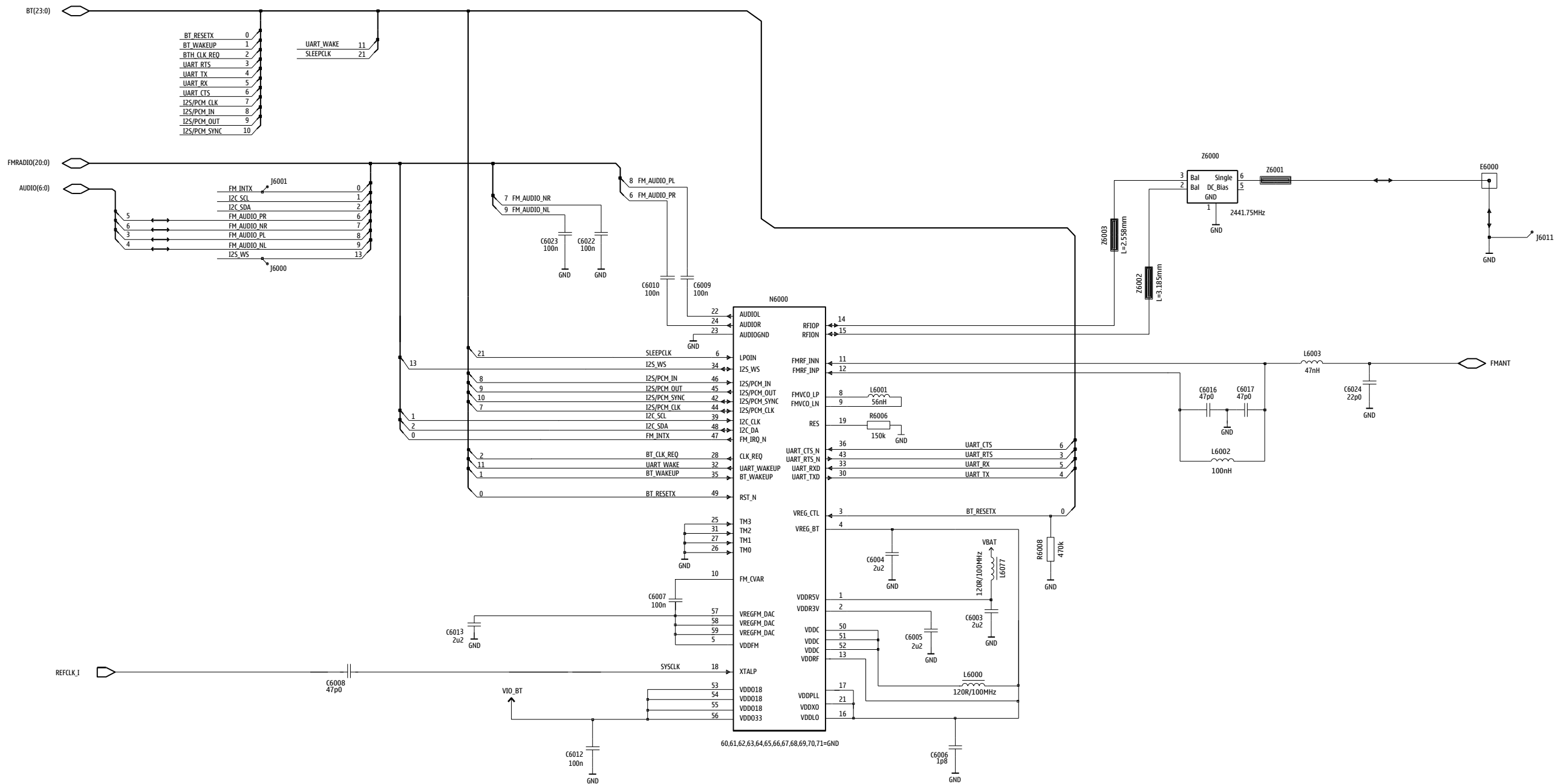
Front page	1
System & USB connector	2
Betty, AVilma, audio, SIM & battery	3
Bluetooth and FM radio	4
RAPS, MicroSD, Camera, UI	5
UI (keyboard)	6
RF part	7
Component finder	8

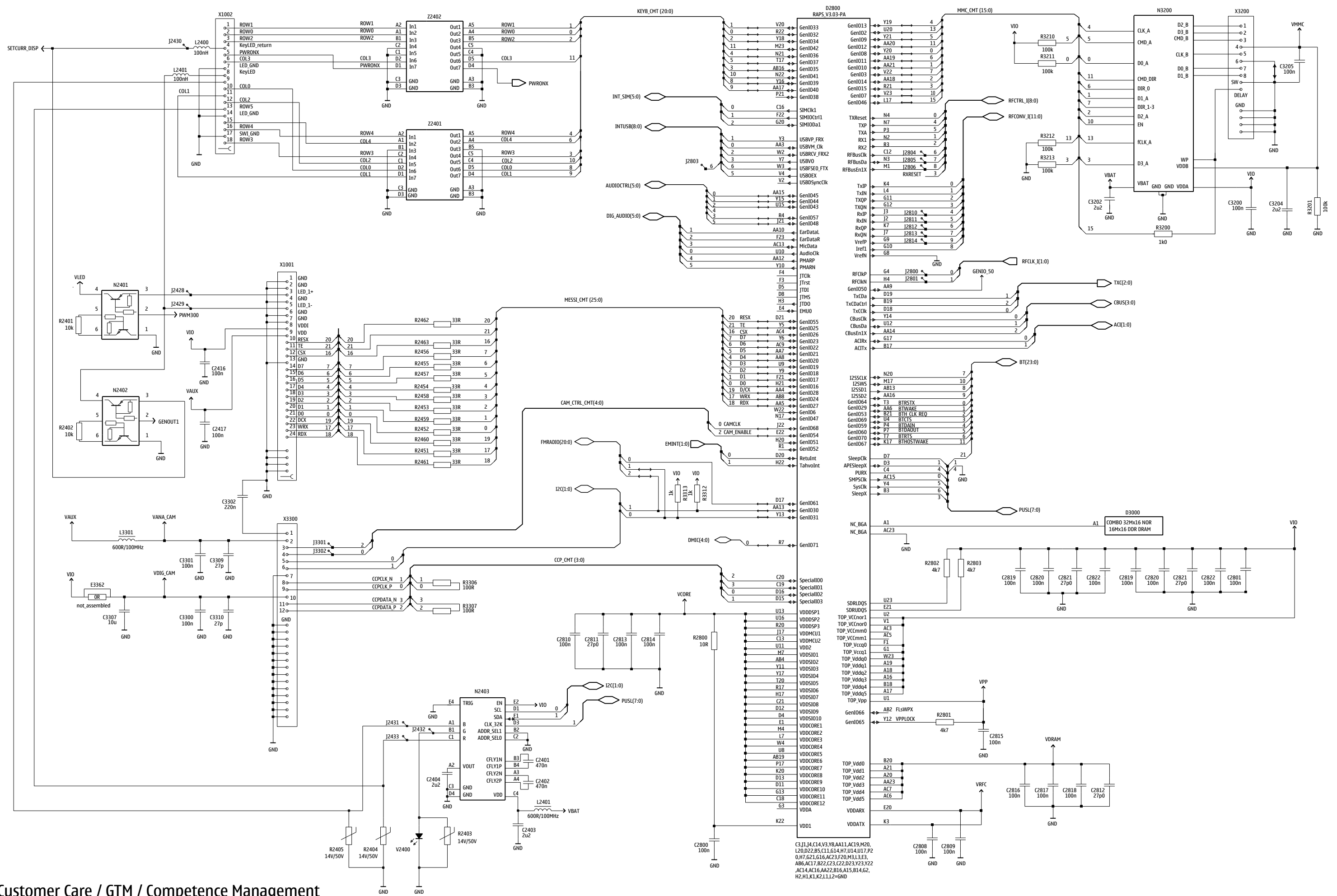
Copyright © NOKIA

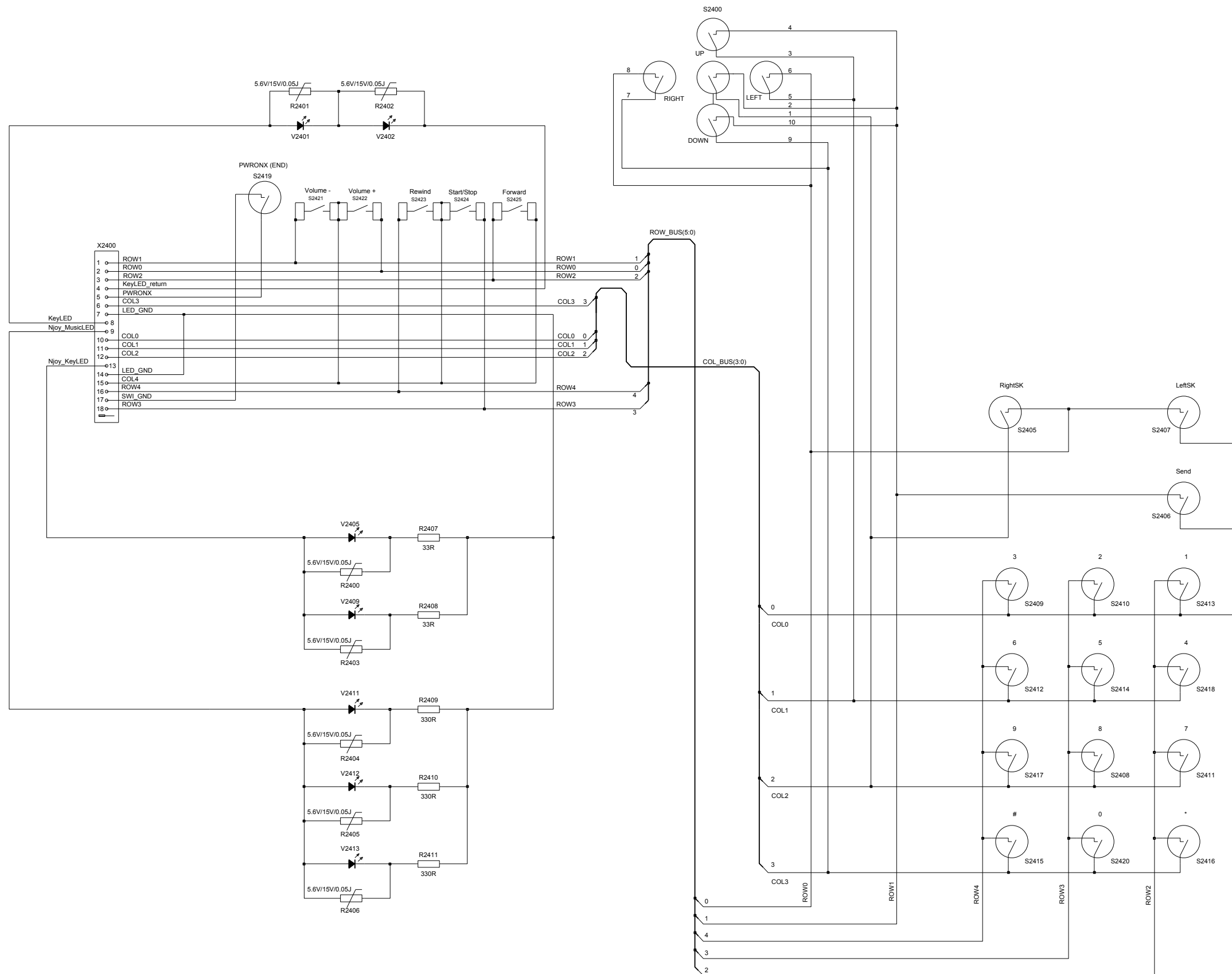
This material, including documentation and any related computer programs is protected by copyright, controlled by NOKIA. All rights are reserved. Copying, including reproducing, modifying, storing, adapting or translating any or all of this material requires the prior written consent of NOKIA. This material also contains company confidential information, which may not be disclosed to others without the prior written consent of NOKIA.

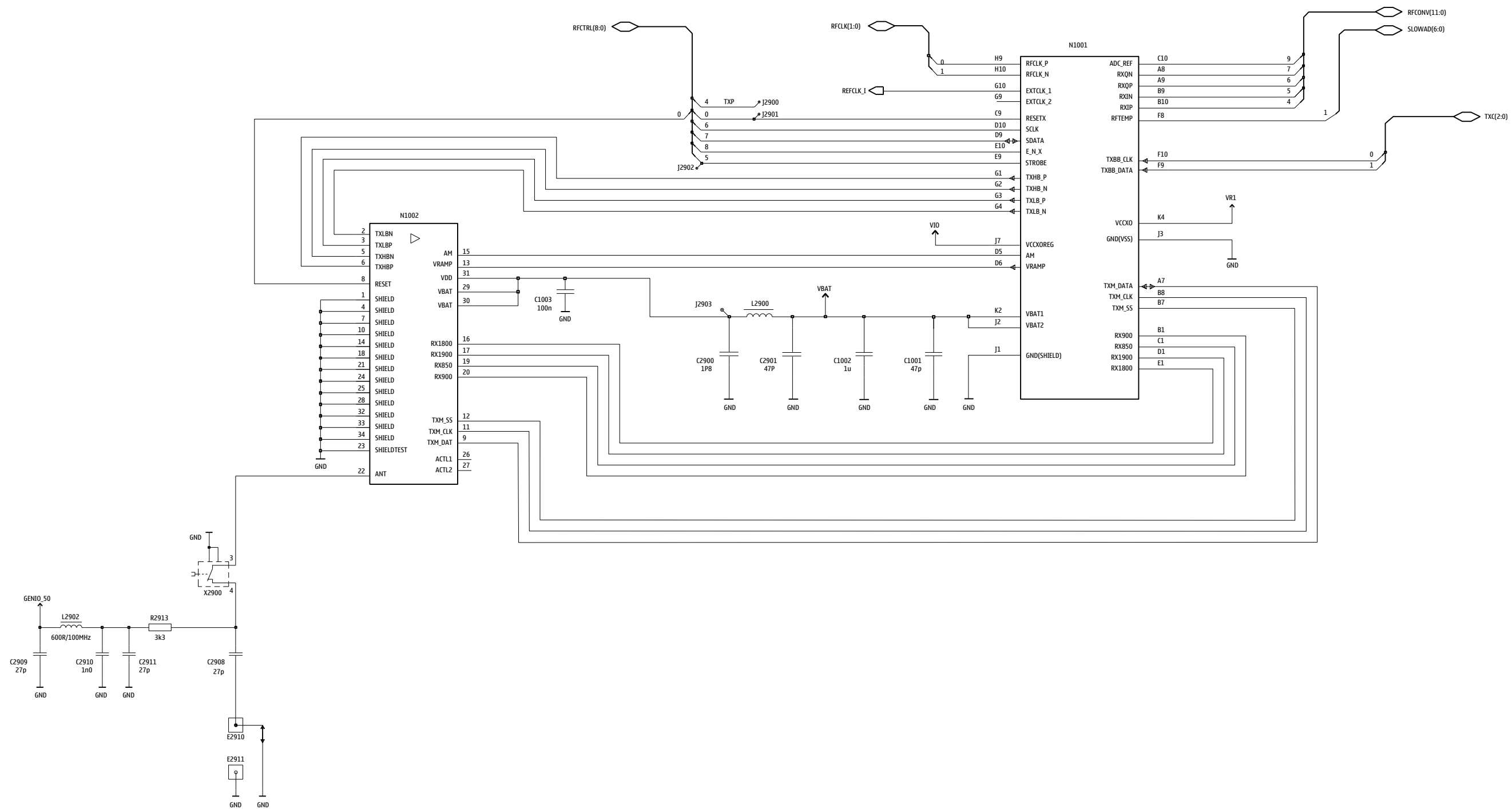












B	C2205	C9	C2820	F3	G	N6000	E8	R2463	E6		
B2150	R7	C2211	D7	C2821	F8	G2200	E8	R2700	G5		
B2151	R7	C2212	S1	C2822	E4	L	R2001	E8	R2701	G6	
B2152	S2	C2213	S2	C2900	E8	L2000	H5	R2002	H2	R2702	E3
B2153	R9	C2215	S2	C2901	G2	L2001	D4	R2003	E8	R2703	F3
B2200	R6	C2216	R7	C2908	H6	L2002	D3	R2004	G3	R2800	E2
C	C2217	R7	C2909	H6	L2003	D4	R2005	T4	R2801	E2	
C1001	T5	C2220	S4	C2910	H6	L2004	D5	R2006	H5	R2802	H7
C1002	R6	C2222	E6	C2911	D3	L2005	C3	R2007	T4	R2803	E3
C1003	T3	C2225	R7	C3200	H6	L2111	D5	R2009	G6	R2913	E7
C2000	E6	C2226	R5	C3202	F4	L2151	C2	R2010	E7	R3200	F6
C2001	D6	C2227	R5	C3204	G2	L2152	D4	R2011	H2	R3201	H4
C2002	B5	C2228	T4	C3205	E2	L2153	G3	R2012	G5	R3210	H4
C2004	D8	C2230	R5	C3300	F2	L2154	F7	R2013	F4	R3211	H5
C2005	E8	C2231	R5	C3301	E3	L2155	G7	R2014	E5	R3212	H5
C2006	E8	C2232	S3	C3302	H2	L2156	D3	R2015	G3	R3213	H5
C2007	E7	C2300	E6	C3307	D2	L2157	G3	R2016	H4	R3306	H5
C2008	B7	C2301	S3	C3309	D2	L2158	B2	R2017	E5	R3307	H5
C2009	B7	C2302	R7	C3310	D2	L2159	E4	R2018	G3	R3312	H6
C2012	B7	C2303	R5	C6003	C2	L2160	G8	R2019	G6	R3313	H6
C2013	R7	C2304	B7	C6004	C8	L2202	E4	R2020	H3	R6006	H6
C2014	T4	C2307	R7	C6005	T6	L2205	G8	R2021	E6	R6008	F8
C2015	R6	C2309	R9	C6006	C7	L2301	H8	R2071	H4	V	
C2016	R6	C2312	R9	C6007	C8	L2302	C4	R2101	E7	V2400	H6
C2017	R6	C2314	S3	C6008	C5	L2304	C4	R2102	E6	X	
C2018	T5	C2315	E6	C6009	D9	L2305	G4	R2103	G6	X1001	E7
C2019	S5	C2316	R7	C6010	H6	L2306	E8	R2104	F8	X1002	T8
C2020	R6	C2318	E5	C6012	C9	L2400	E8	R2105	F8	X2000	H6
C2021	T6	C2401	D6	C6013	F2	L2401	E8	R2107	D2	X2001	C8
C2022	R6	C2402	F8	C6016	E7	L2402	E8	R2108	F8	X2002	T3
C2023	D5	C2403	E5	C6017	D2	L2704	F8	R2109	H3	X2060	H6
C2024	S6	C2404	R2	C6020	E8	L2900	F8	R2164	F8	X2070	C8
C2070	D6	C2416	S7	C6021	D2	L2902	H3	R2165	H2	X2700	H5
C2101	T5	C2417	E6	C6022	H2	L3301	G4	R2200	G8	X2900	H5
C2102	D6	C2700	E8	C6023	H2	L6000	H4	R2201	G8	X3200	F3
C2112	D6	C2701	E6	C6024	T4	L6001	H4	R2202	G7	X3300	F2
C2114	C3	C2702	E6	D	L6002	H5	R2250	G8	Z		
C2115	C2	C2800	R5	D2800	T4	L6003	E4	R2251	E5	Z2002	C8
C2116	S9	C2801	B3	D3000	H6	L6020	E4	R2300	E3	Z2401	D8
C2117	C2	C2802	C7	E	L6077	F8	R2303	G8	Z2402	C8	
C2118	C2	C2803	C7	E2000	H6	M	R2401	G7	Z6000	D8	
C2151	S4	C2804	E6	E2001	G7	M2100	E8	R2402	E4		
C2156	B7	C2805	D6	E2101	H7	N	R2403	E7			
C2157	S8	C2806	E6	E2102	H7	N1001	H7	R2404	F4		
C2158	E3	C2807	D6	E2103	H7	N1002	F7	R2405	G8		
C2159	R7	C2808	S4	E2104	H7	N2000	H7	R2451	E5		
C2164	R6	C2809	S4	E2105	H7	N2002	H7	R2452	H8		
C2170	F7	C2810	D3	E2106	H7	N2100	H8	R2453	G5		
C2171	S3	C2811	C2	E2154	H6	N2101	G2	R2454	E5		
C2172	R7	C2812	C3	E2155	D3	N2151	D2	R2455	G7		
C2173	T8	C2813	B3	E2156	D3	N2200	G4	R2456	G7		
C2174	A7	C2814	C3	E2157	D3	N2300	E7	R2457	E5		
C2175	B7	C2815	H6	E2910	C4	N2301	G2	R2458	E5		
C2177	S4	C2816	E3	E2911	C3	N2401	E7	R2459	E7		
C2200	S4	C2817	E3	E6000	C4	N2402	G4	R2460	G5		
C2201	A5	C2818	E3	F	N2403	E7	R2461	F6			
C2202	C5	C2819	F4	F2000	C4	N3200	H3	R2462	G6		

